

PRODUCT DATASHEET

Recessed Panel light HYD-116D-42W 4000K



Application

- Office
- Kitchen
- Rest room
- Corridor
- Shop

Benefits

- Flicker free.
- The light is soft and bright
- Drive stable, safe and reliable
- High light transmission mask to ensure uniform light

Features

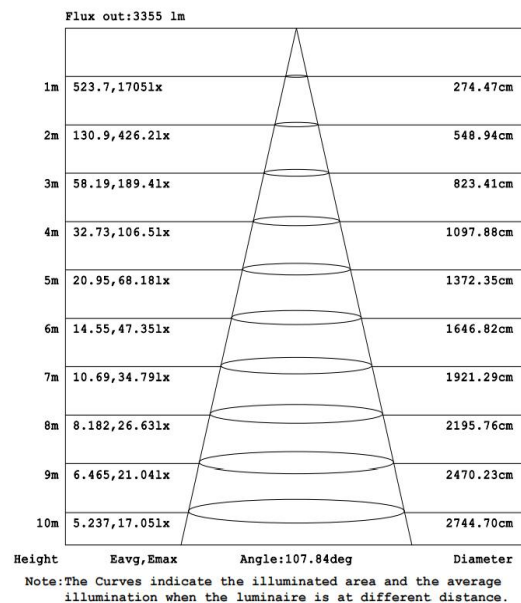
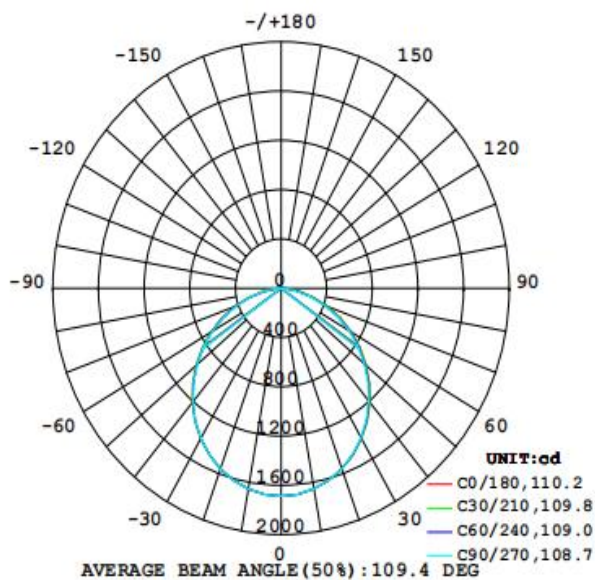
- Efficient and durable
- Easy and quick installation
- Light body thin design, reduce space occupancy
- Die-cast aluminum body for better heat dissipation, anti-corrosion, and easy maintain

Electrical Data

Nominal wattage (W)	42W
Nominal Voltage (V)	220-240
Mains Frequency (Hz)	50/60 Hz
Nominal Current (mA)	190
LED Driver Current (mA)	1000
LED Driver Voltage (VDC)	24-40
LED Driver Efficiency (%)	89%
Power Factor λ	0.95
Total harmonic distortion (%)	<5%
Operating mode	External LED driver

Photometrical data

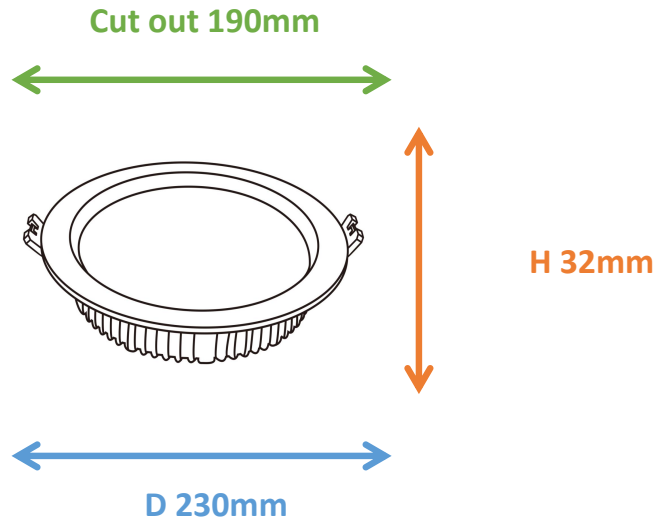
Luminous flux $\pm 10\%$ (lm)	4631 lm
Luminous efficacy	113 lm/w
Color temperature	4000K
Light color (designation)	Natural White
Color rendering index Ra	≥ 80
Standard deviation of color matching	≤ 5 SDCM
Luminous intensity/cd	1687
Flickering	Flicker free
Beam angle	109 °



4000K

Dimensions & Weight

Diameter (mm)	230
Height (mm)	32
Product weight (g) / Drive not included	571



Material & Colors

Product color	All White
Housing color	White
Body material	Aluminum
Cover material	PC
Reflector color	White
Mercury content	0.0 mg

Application & Mounting

Ambient temperature range	-20°C~+45 °C
Temperature range at storage	-25°C~+60 °C
Type of connection	Screwless terminal
Type of protection	IP20
Dimmable	No
Mounting type	Recesse mounted
Mounting location	Ceiling
Application environment	Indoor
Cut size (mm)	190
LED module replaceable	Not replaceable
With light source	Yes

Certificates & Lifespan

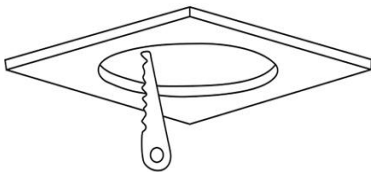
Life (h)	50,000
Certificates	CB LVD EMC RoHS
Standards	ISO9001:2015

Logistical Data

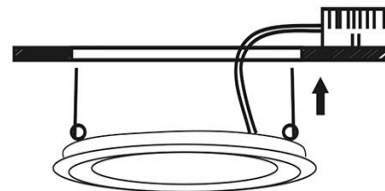
Product code	Dimensions (L*W*H)	Pcs/ carton	G.W. kg	Volume CBM
HYD-116D-42W	54*27*50.5 cm	20	...	0.07363

Installation Method

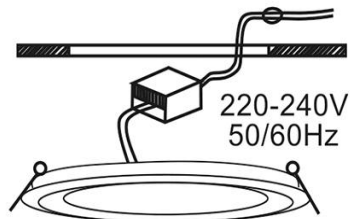
1. Cut hole according to lamp cut size.



3. Install the lamp onto the ceiling.



2. Cut off electrical power connect the lamp wire.



4. Like this finish installation.



Disclaimer

Subject to change without notice. Errors and omission excepted. Always make sure to use the most recent release