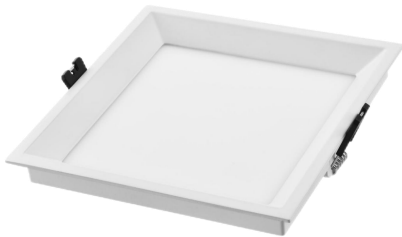


PRODUCT DATASHEET

Recessed Panel light
HYD-123S-22W 4000K



Application

- Office
- Kitchen
- Rest room
- Corridor
- Shop

Benefits

- Flicker free.
- The light is soft and bright
- Drive stable, safe and reliable
- High light transmission mask to ensure uniform light

Features

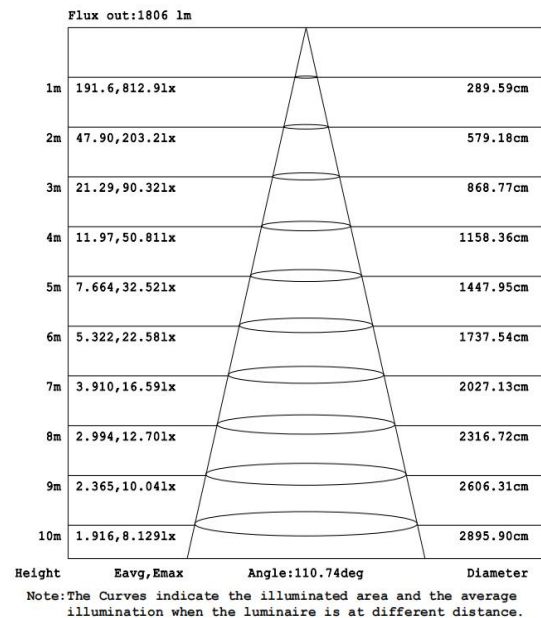
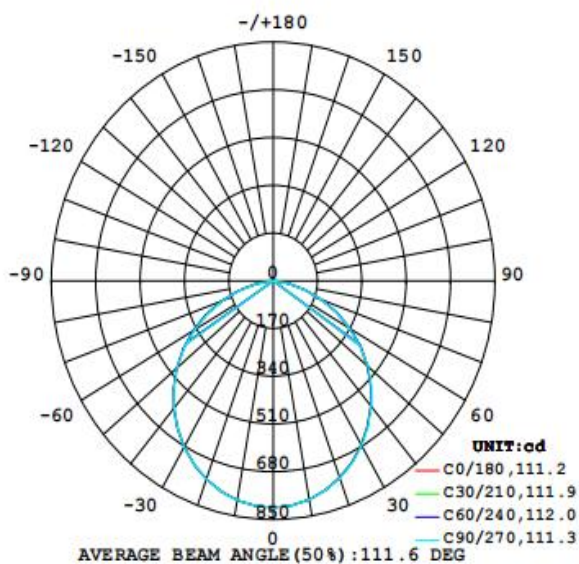
- Efficient and durable
- Easy and quick installation
- Light body thin design, reduce space occupancy
- Die-cast aluminum body for better heat dissipation, anti-corrosion, and easy maintain

Electrical Data

Nominal wattage (W)	22W
Nominal Voltage (V)	220-240 V
Mains Frequency (Hz)	50
Nominal Current (mA)	167
LED Driver Current (mA)	600
LED Driver Voltage (VDC)	27-39
LED Driver Efficiency (%)	85%
Power Factor λ	0.55C
Total harmonic distortion (%)	...
Operating mode	External LED Driver

Photometrical data

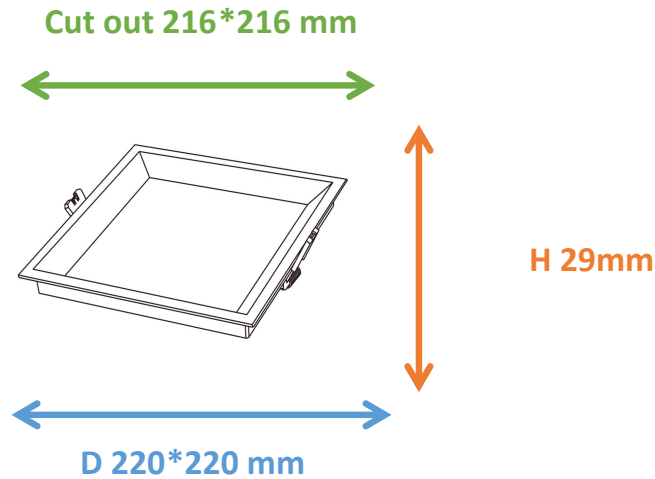
Luminous flux $\pm 10\%$ (lm)	2242 lm
Luminous efficacy	106 lm/w
Color temperature	4000K
Light color (designation)	Natural White
Color rendering index Ra	≥ 80
Standard deviation of color matching	≤ 5 SDCM
Luminous intensity/cd	807
Flickering	Flicker free
Beam angle	112 °



4000K

Dimensions & Weight

Diameter (mm)	220*220
Height (mm)	29
Product weight (g)	678



Material & Colors

Product color	All White
Housing color	White
Body material	Aluminum
Cover material	PS LGP material
Mercury content	0.0 mg

Application & Mounting

Ambient temperature range	-20°C~+45 °C
Temperature range at storage	-25°C~+60 °C
Type of connection	Screwless terminal
Type of protection	IP20
Dimmable	No
Mounting type	Recessed mounted
Mounting location	Ceiling
Application environment	Indoor
Cut size (mm)	216*216
LED module replaceable	Not replaceable
With light source	Yes

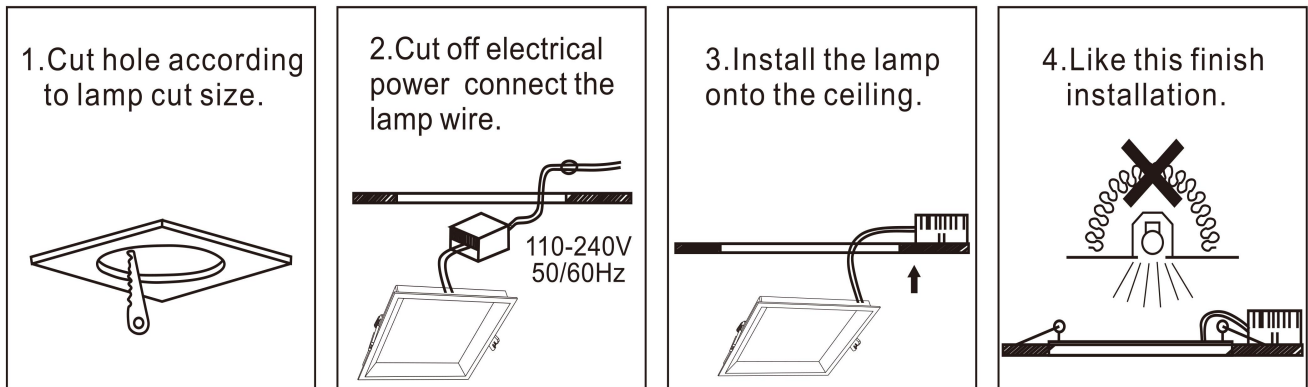
Certificates & Lifespan

Life (h)	50,000
Certificates	CB LVD EMC RoHS
Standards	ISO9001:2015

Logistical Data

Product code	Dimensions (L*W*H)	Pcs/ carton	G.W. kg	Volume CBM
HYD-123S-22W	53*27*52.5 cm	20	...	0.07513

Installation Method



Disclaimer

Subject to change without notice. Errors and omission excepted. Always make sure to use the most recent release