

## PRODUCT DATASHEET

**Economic design Recessed mounted Downlight**  
**HYD-254-7W-3000K**



---

### Application

- Commercial building
- Exhibition Hall
- Warehouse
- Hotel
- Office

---

### Benefits

- Flicker free
- Economic and Elegant design
- Low lumen depreciation, saving Energy Up to 60% Compared to FL lamps
- Brand high efficiency LED chips Up To 100lm/w

---

### Features

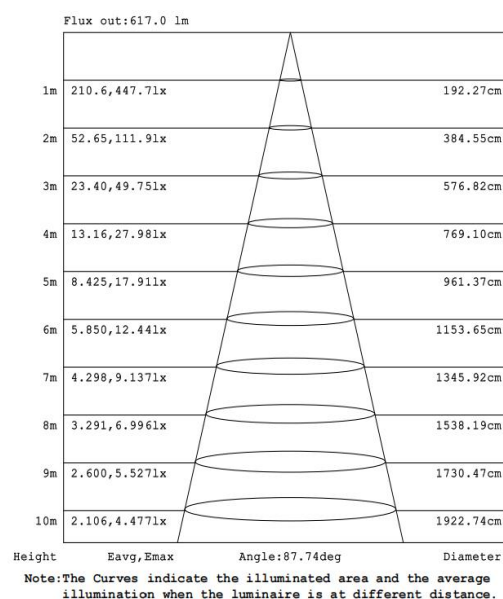
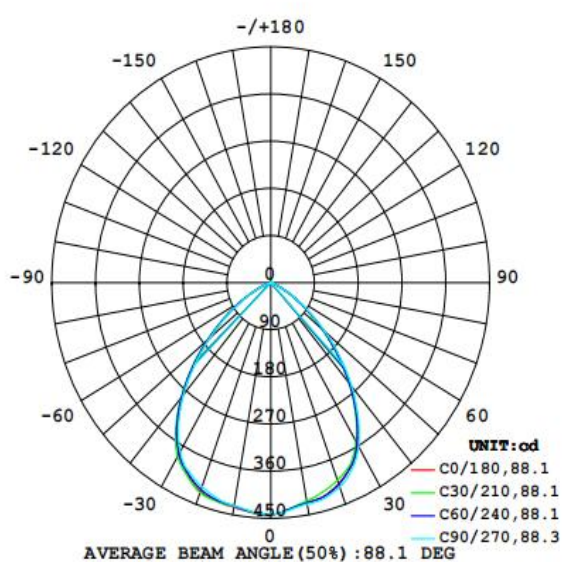
- Warranty 5 years
- Buckle design, easy and quick installation
- Drivers independently designed for the products reliability and durability
- Die-cast aluminum body for better heat dissipation, anti-corrosion, and easy maintain

## Electrical Data

Nominal wattage (W)	<b>7W</b>
Nominal Voltage (V)	220-240V
Mains Frequency (Hz)	50
Nominal Current (mA)	55
LED Driver Current (mA)	180
LED Driver Voltage (VDC)	30-40
LED Driver Efficiency (%)	82%
Power factor $\lambda$	0.5
Total harmonic distortion (%)	...
Operating mode	External LED driver

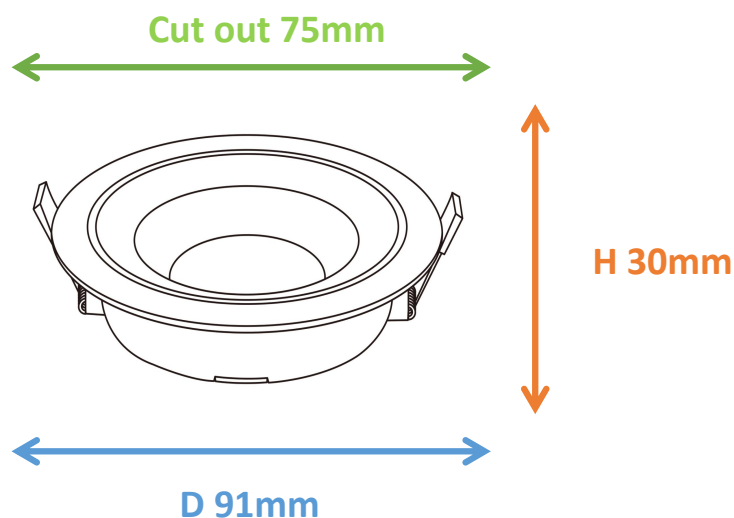
## Photometrical data

Luminous flux $\pm 10\%$ (lm)	831 lm
Luminous efficacy	112 lm/w
Color temperature	<b>3000K</b>
Light color (designation)	Warm White
Color rendering index Ra	$\geq 80$
Standard deviation of color matching	$\leq 5$ SDCM
Luminous intensity/cd	443
Flickering	Flicker free
Beam angle	88 °



## Dimensions & Weight

Diameter (mm)	91
Height (mm)	30
Product weight (g)	...



## Material & Colors

Product color	White housing / Gun color reflective cup
Housing color	White
Body material	Aluminum
LGP material	PC
Mercury content	0.0 mg

## Application & Mounting

Ambient temperature range	-10-40 °C
Temperature range at storage	-10-40 °C
Type of connection	Screwless terminal
Type of protection	IP20
Dimmable	No
Mounting type	Recessed mounted
Mounting location	Ceiling
Application environment	Indoor
Cut size (mm)	75
LED module replaceable	Not replaceable
With light source	Yes

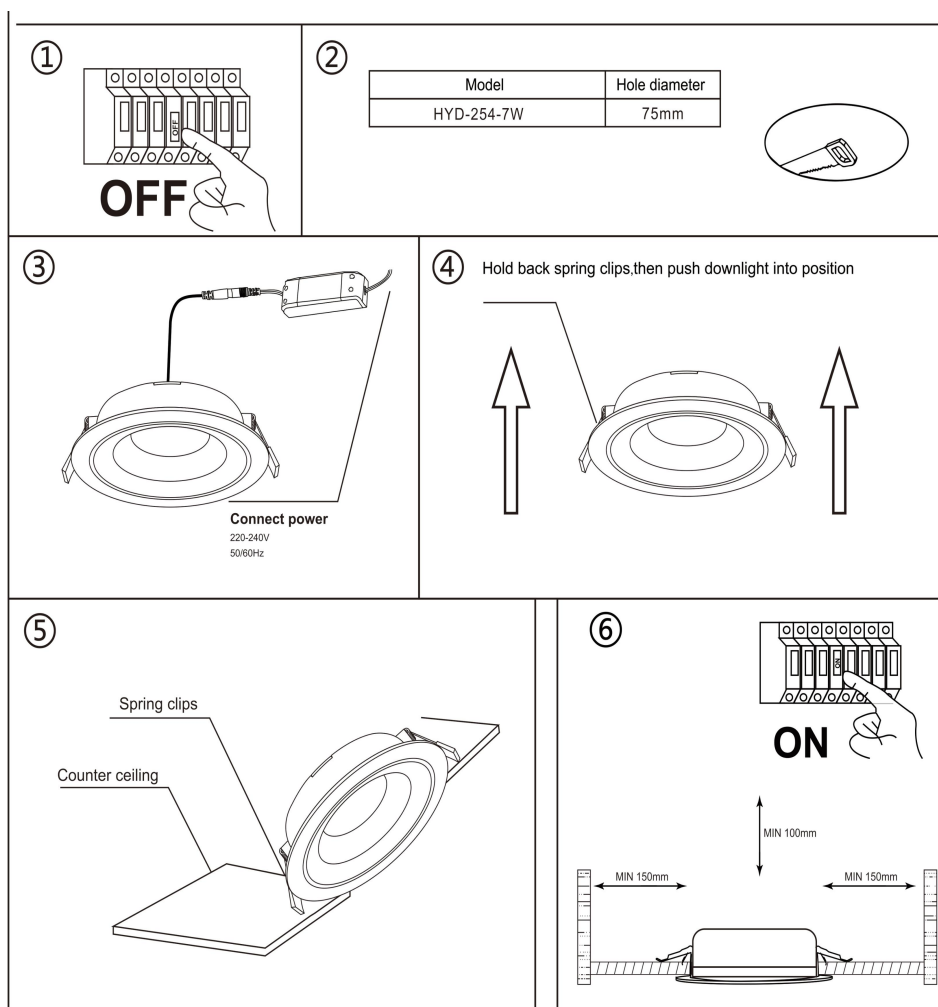
## Certificates & Lifespan

Life (h)	50000
Certificates	CB CE LVD EMC
Standards	ISO9001:2015

## Logistical Data

Product code	Dimensions (L*W*H)	Pcs/ carton	G.W. kg	Volume CBM
HYD-254-7W	49.5*24.5*27 cm	50	...	0.03274

## Installation Method



## Disclaimer

Subject to change without notice. Errors and omission excepted. Always make sure to use the most recent release.