

PRODUCT DATASHEET

Economic design Recessed mounted Downlight
HYD-4*7W-3000K



Application

- Commercial building
- Exhibition Hall
- Warehouse
- Hotel
- Office

Benefits

- Flicker free
- Economic and Elegant design
- Low lumen depreciation, saving Energy Up to 60% Compared to FL lamps
- Brand high efficiency LED chips Up To 100lm/w

Features

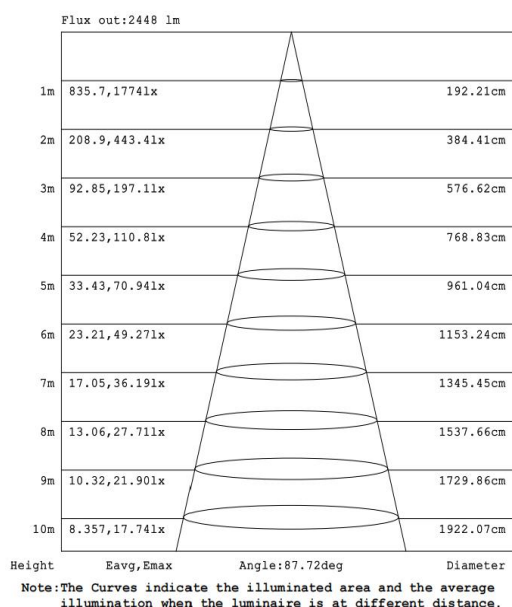
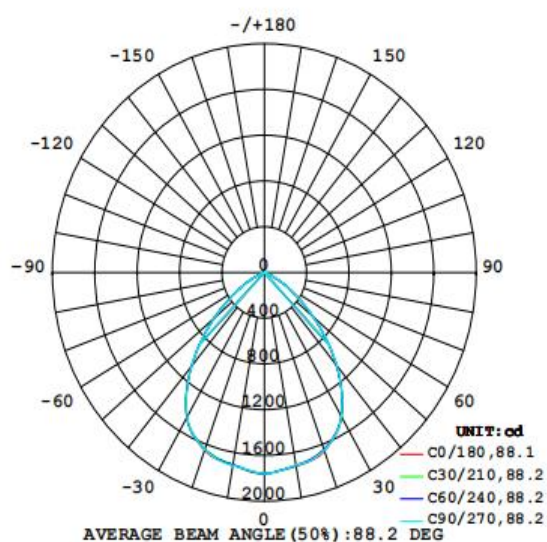
- Warranty 5 years
- Buckle design, easy and quick installation
- Drivers independently designed for the products reliability and durability
- Die-cast aluminum body for better heat dissipation, anti-corrosion, and easy maintain

Electrical Data

Nominal wattage (W)	4*7W
Nominal Voltage (V)	220-240V
Mains Frequency (Hz)	50
Nominal Current (mA)	224
LED Driver Current (mA)	180
LED Driver Voltage (VDC)	30-40
LED Driver Efficiency (%)	82%
Power factor λ	0.5
Total harmonic distortion (%)	...
Operating mode	External LED driver

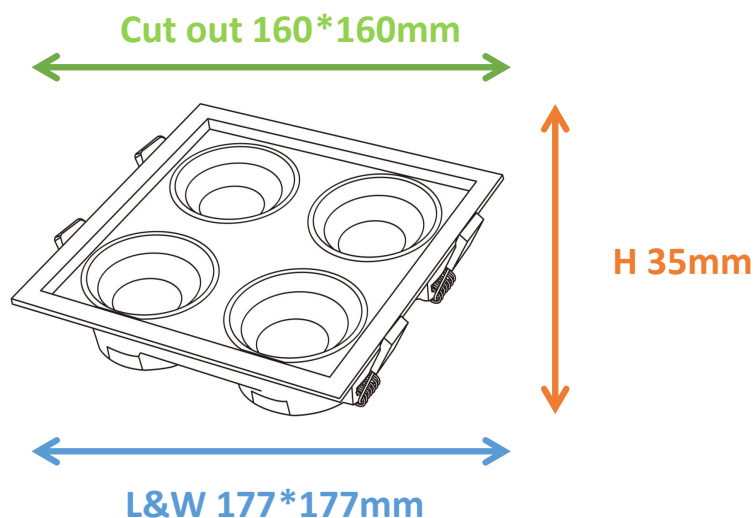
Photometrical data

Luminous flux $\pm 10\%$ (lm)	3292 lm
Luminous efficacy	110 lm/w
Color temperature	3000K
Light color (designation)	Warm White
Color rendering index Ra	≥ 80
Standard deviation of color matching	≤ 5 SDCM
Luminous intensity/cd	1758
Flickering	Flicker free
Beam angle	88 °



Dimensions & Weight

Length&Width (mm)	177*177
Height (mm)	35
Product weight (g)	...



Material & Colors

Product color	White housing/Gun color reflective cup
Housing color	White
Body material	Aluminum
LGP material	PC
Mercury content	0.0 mg

Application & Mounting

Ambient temperature range	-10-40 °C
Temperature range at storage	-10-40 °C
Type of connection	Screwless terminal
Type of protection	IP20
Dimmable	No
Mounting type	Recessed mounted
Mounting location	Ceiling
Application environment	Indoor
Cut size (mm)	160*160
LED module replaceable	Not replaceable
With light source	Yes

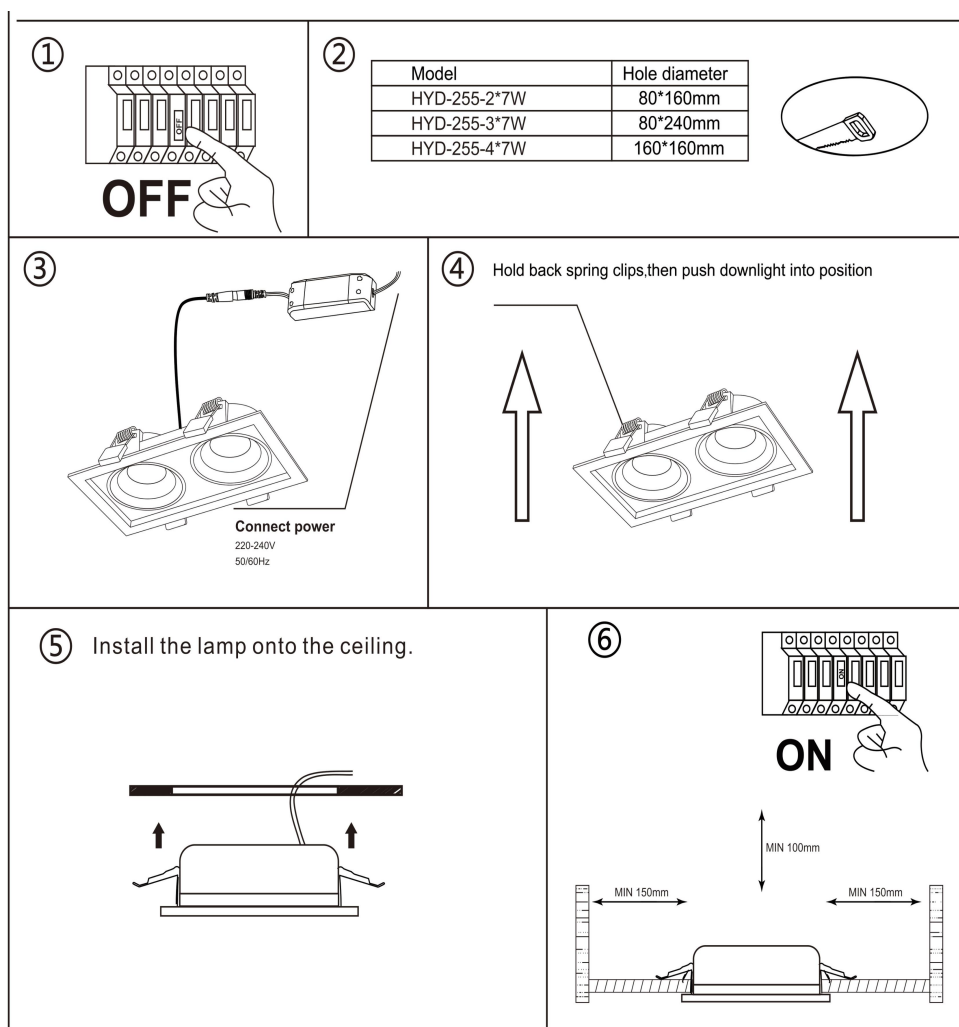
Certificates & Lifespan

Life (h)	50000
Certificates	CB CE LVD EMC
Standards	ISO9001:2015

Logistical Data

Product code	Dimensions (L*W*H)	Pcs/ carton	G.W. kg	Volume CBM
HYD-4*7W	39*21.5*37.5 cm	10	...	0.03144

Installation Method



Disclaimer

Subject to change without notice. Errors and omission excepted. Always make sure to use the most recent release.