

PRODUCT DATASHEET

Recesse Mounted Panel Light HYD-227S-20W 6500K



Application

- Household living room
- Mall
- Commercial place
- Corridors
- Hotel

Benefit

- Internal reflector to increase optical efficiency
- Flicker free
- Low lumen depreciation
- Detachable driver design or DOB design could be option

Feature

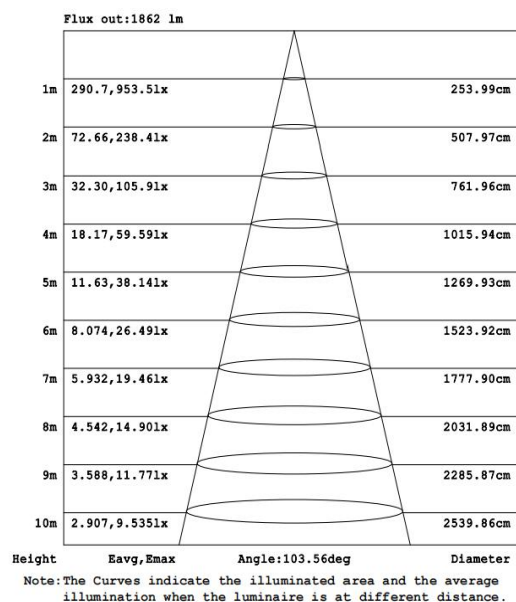
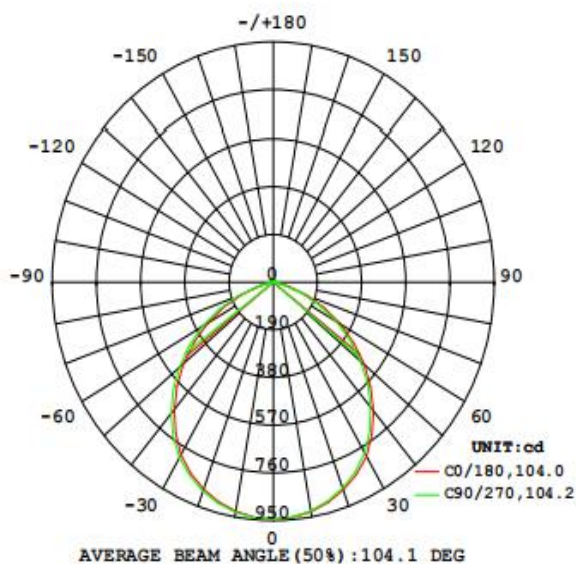
- Warranty 5 years
- Yellowing-resistant diffuser (PC)
- Buckle design, easy and quick installation
- Die-cast aluminum body for better heat dissipation, anti-corrosion, and easy maintain

Electrical Data

Nominal wattage (W)	20W
Nominal Voltage (V)	220-240V
Mains Frequency (Hz)	50-60Hz
Nominal Current (mA)	157
LED Driver Current (mA)	500
LED Driver Voltage (V)	27-42
LED Driver Efficiency (%)	85%
Power factor λ	0.55C
Total harmonic distortion (%)	...
Operating mode	External LED driver

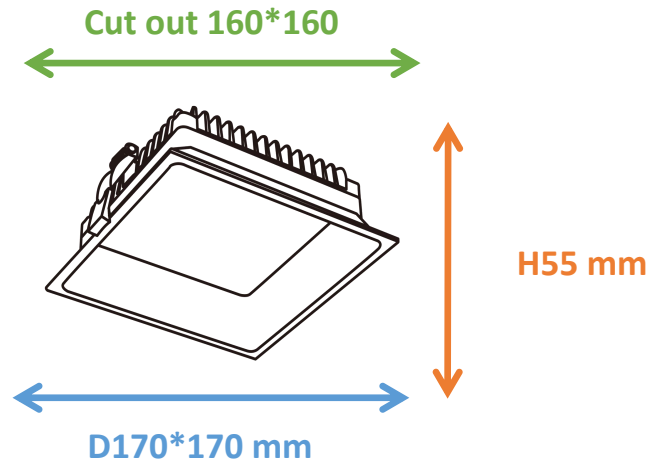
Photometrical data

Luminous flux $\pm 10\%$ (lm)	2393 lm
Luminous efficacy	122 lm/W
Color temperature	6500K
Light color (designation)	Cold White
Color rendering index Ra	≥ 80
Standard deviation of color matching	≤ 5 SDCM
Luminous intensity	945 cd
Flickering	Flicker free
Beam angle	104 °



Dimensions & Weight

Diameter (mm)	170*170
Height (mm)	55
Product weight (g)	...



Material & Colors

Product color	Black housing / White Light Cup
Housing color	White
Body material	Aluminum
LGP material	PC
Mercury content	0.0 mg

Application & Mounting

Ambient temperature range	-20°C~+45 °C
Temperature range at storage	-25°C~+60 °C
Type of connection	Screwless terminal
Type of protection	IP20
Dimmable	No
Mounting type	Recessed mounted
Mounting location	Ceiling
Application environment	Indoor
Cut size (mm)	165
LED module replaceable	Not replaceable
With light source	Yes

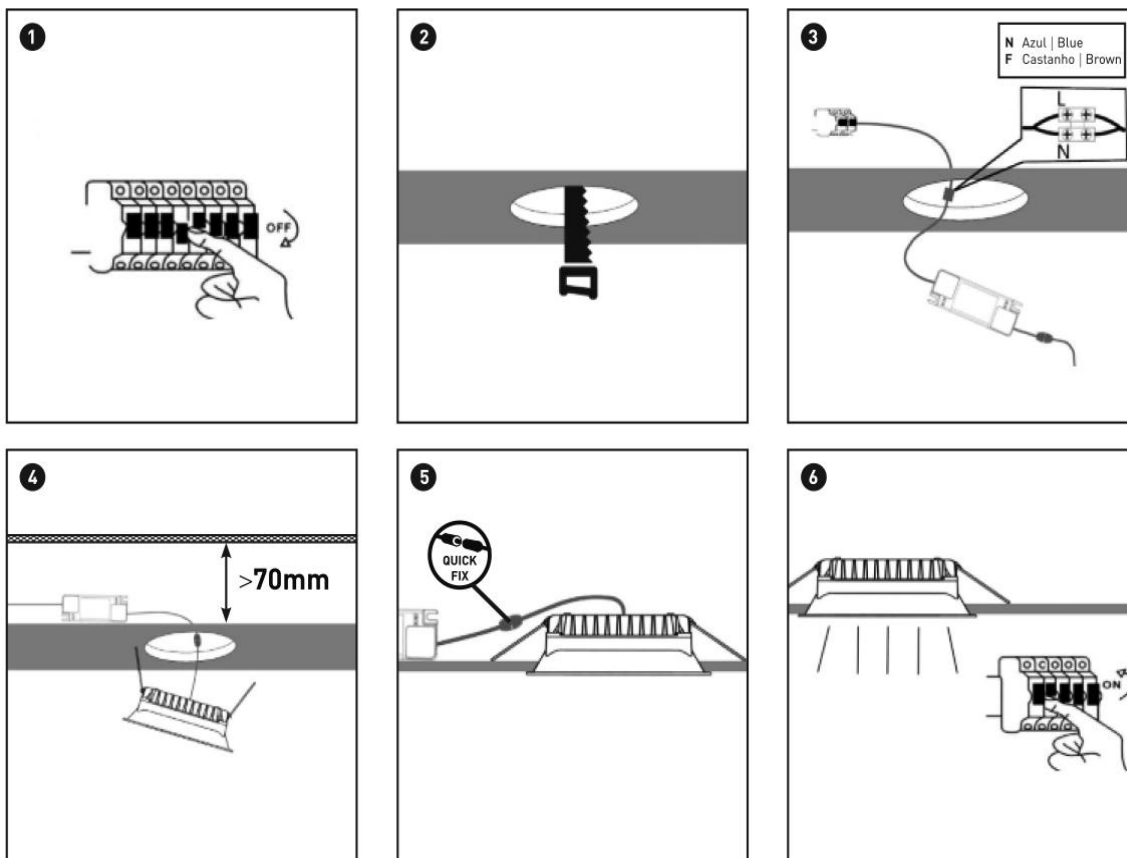
Certificates & Lifespan

Life (h)	50,000
Certificates	CB / CE / LVD / RoHS
Standards	ISO9001:2015

Logistical Data

Product code	Dimensions (L*W*H)	Pcs/ carton	G.W. kg	Volume CBM
HYD-227S-20W	42*38*37.5 cm	20	...	0.05985 m ³

Installation Method



Disclaimer

Subject to change without notice. Errors and omission excepted.
Always make sure to use the most recent release.